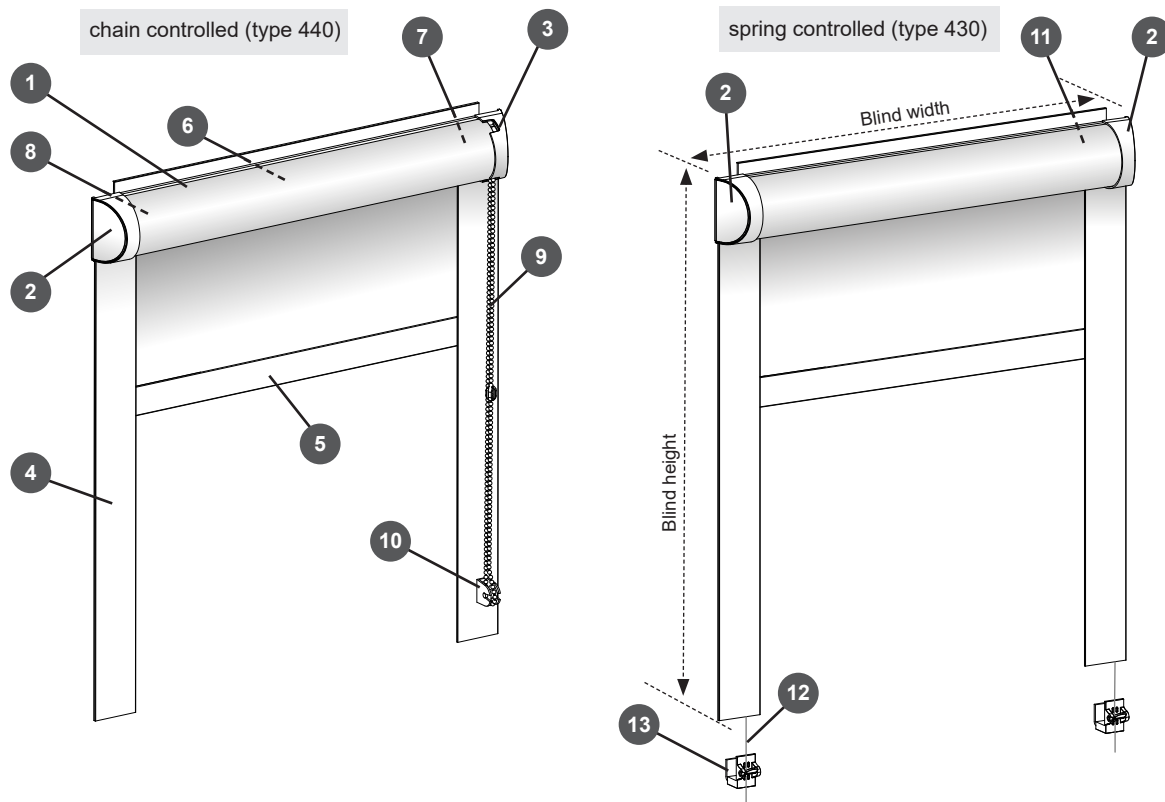




data sheet - domicet mini (types 430 & 440)

component list



1	Cassette 584171XX	11	Spring mechanism 17/20 mm 52317184 / 52320104
2	End cap neutral + cover 58417406X	12	Pull cord 1,2 mm 4401200000
3	End cap chain + cover 58417405X	13	Fixing bracket for wire 53100030
4	Sidechannel, slim / neutral 5841724X / 5841720X		
5	Bottom rail 584173XX		
6	Alu. tube 17 mm / 20 mm 57017300 / 57020400		
7	Chain mech. 1 kg, 17/20 mm 55017109 / 55020109		
8	End plug 17 / 20 mm 52517100 / 58020502		
9	Ball chain 3,2 x 4,2 mm 55110015X		
10	Ball chain holder 57011010X		

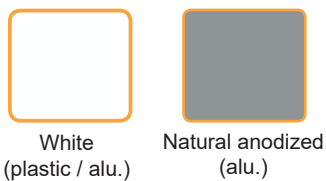
system size



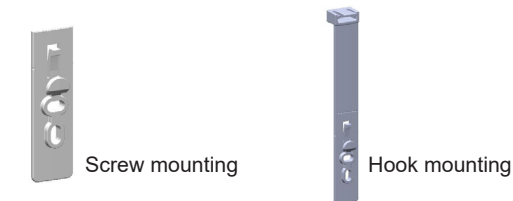
system options



available colors

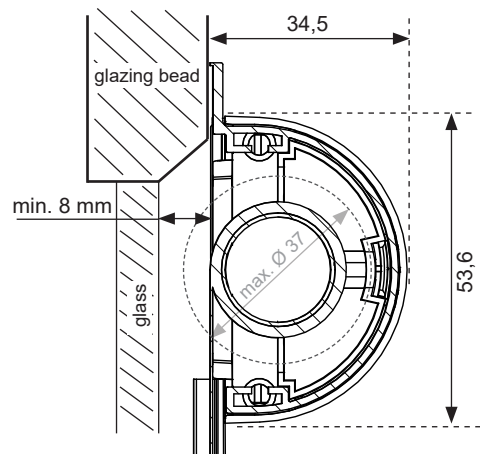


mounting options

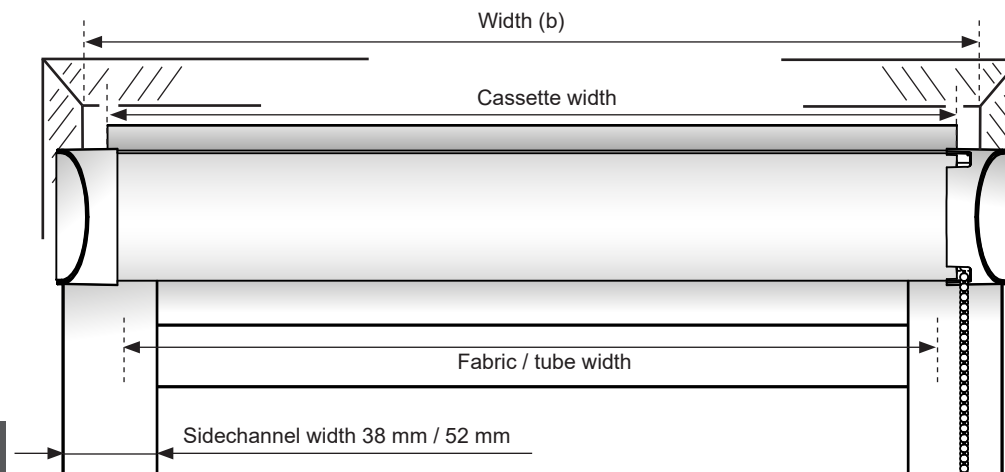




cassette size

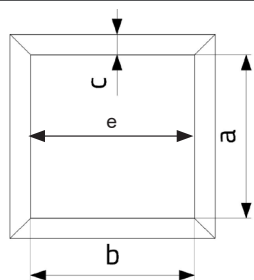
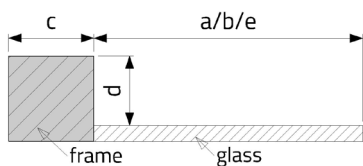


blind dimensions and deductions



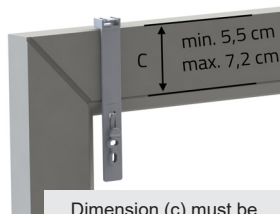
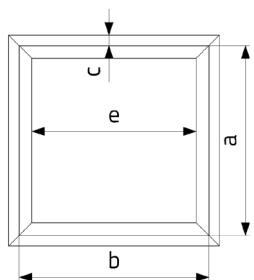
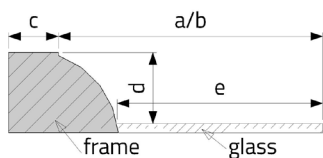
window measuring

Straight angled glazing bead



a = height
b = width
c = frame height
d = glazing bead height
e = glass width

Rounded glazing bead



Dimension (c) must be between 5,5 - 7,2 cm when using mounting hooks.

	Cassette width in mm	Tube width in mm	Fabric width in mm
Chain mechanism	Width b -14 (-4)	Width b -29 (-19)	Width b -31 (-21)
Spring mechanism	Width b -14 (-4)	Width b -31 (-21)	Width b -33 (-23)

Straight glazing bead dimensions in brackets