

domicet
est. 1978



domicet

mini

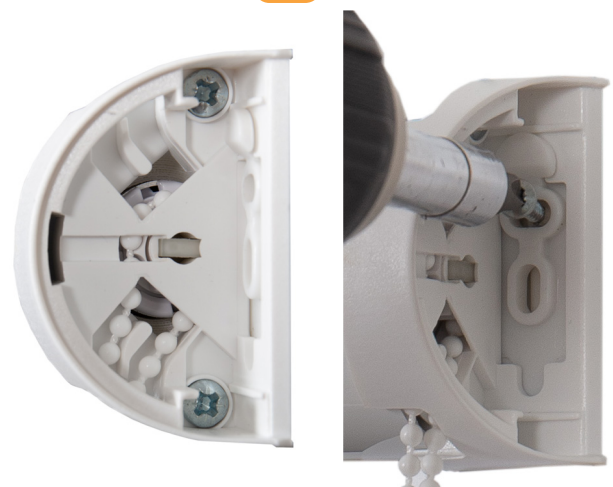
Optimized for tilting windows
- use directly on window frames





mini

- For 17mm or 20mm chain or constant tension spring mechanisms made in Finland.
- Optimized for tilting windows
- Cassettes and side channels available in plastic and aluminium
- Mount by screwing or just hang on the frame with hook brackets
- Also for Zebra blinds



Size:

Max. drop of a blind with 17 mm tube:

3,6 m with fabric thickness 0,2 mm
 2,6 m with fabric thickness 0,3 mm
 2,0 m with fabric thickness 0,4 mm

Max. drop of a blind with 20 mm tube:

3,4 m with fabric thickness 0,2 mm
 2,3 m with fabric thickness 0,3 mm
 1,8 m with fabric thickness 0,4 mm

Recommended max. widths (with aluminum cassette):

1,25 m with 17 mm steel tube
 1,4 m with 17 mm aluminum tube
 1,5 m with 20 mm steel tube
 1,4 m with 20 mm aluminum tube
 (max. width with plastic cassette 1,2 m)

Options: chain mechanism, spring mechanism, side channels



Colour: white (plastic / aluminum), natural anodized (alu.)

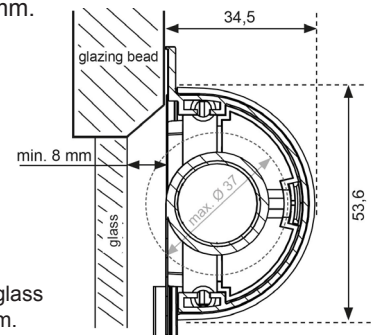


Fabrics: Suitable for translucent and blackout fabrics



Cassette: Can be mounted with screws or hooks.

Max. roll diameter 37 mm.



Min. dimension between glass and window frame is 8 mm.