



# spring

---

Spring mechanism solutions for every need

domicet  
est. 1978



**domicet**

# SPRING MECHANISM

## Domicet spring mechanism

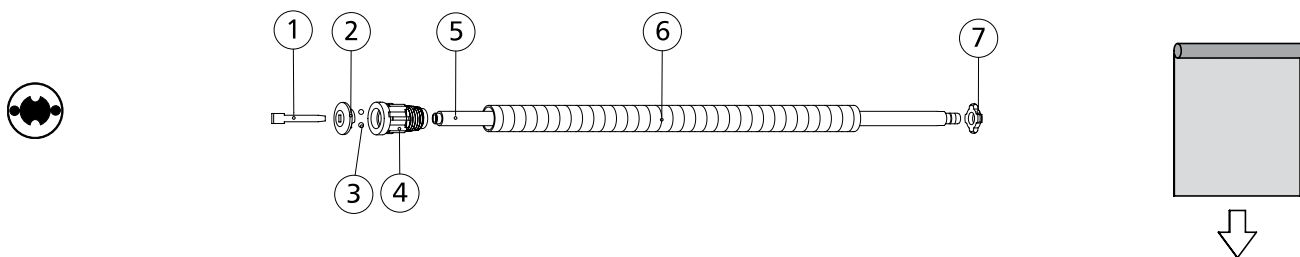
Domicet can offer a big variety of spring mechanisms as standard products. We offer

- 4 different functions
- 6 different dimensions (from 17 mm to 38 mm)
- 5 different axle lengths (from 300 mm to 800 mm)

9 different lifting powers (from 1,0 to 6,0 kg)  
7 different wire thicknesses (from 0,9 to 1,8 mm)

Domicet spring mechanisms can be used not only in the blind industry, but also for cars, mobile homes, caravans, insect screens, displays, rollups, in sofa beds etc.

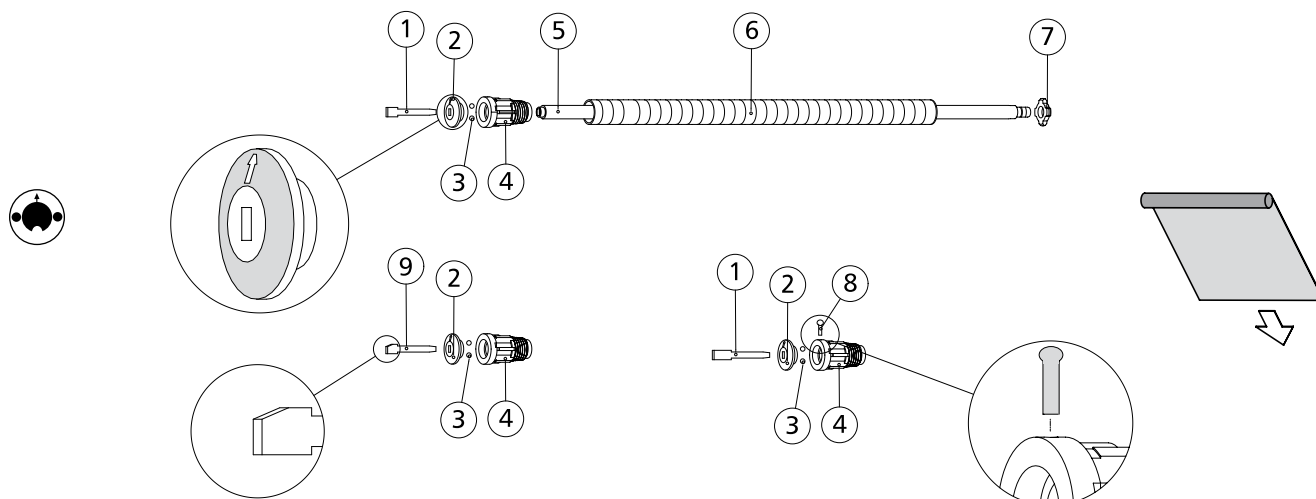
## The function of Domicet spring mechanism



## Standard spring mechanism

Standard spring mechanism (2 balls and 2 notches). Stop function every half turn. Used mainly for roller blinds.

1. End pin
2. Locking plate with notches
3. Balls
4. Housing
5. Axle
6. Spring wire
7. Centering washer



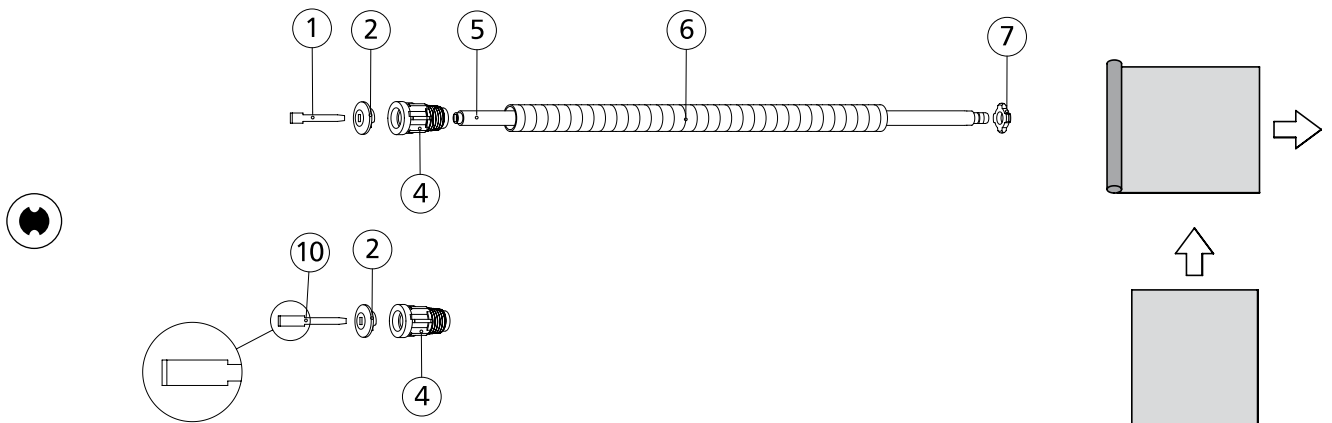
## Skylight spring mechanism

Skylight spring mechanism (2 balls and 1 notch), arrow on the plate. Multi function: stop function every full turn, when the blind placed in the brackets with the arrow pointing downwards. Constant tension function when the blind placed in the brackets with arrow towards the window.

Available with angled cut end pin and with security pin. The security pin is for securing the pretensioning of the blind during the transport. The pin secures the mechanism when pushed in the mechanism house behind the ball. Used mainly for skylight blinds.

1. End pin
2. Locking plate with one notch and arrow
3. Balls
4. Housing
5. Axle
6. Spring wire
7. Centering washer
8. Security pin
9. Angled cut pin

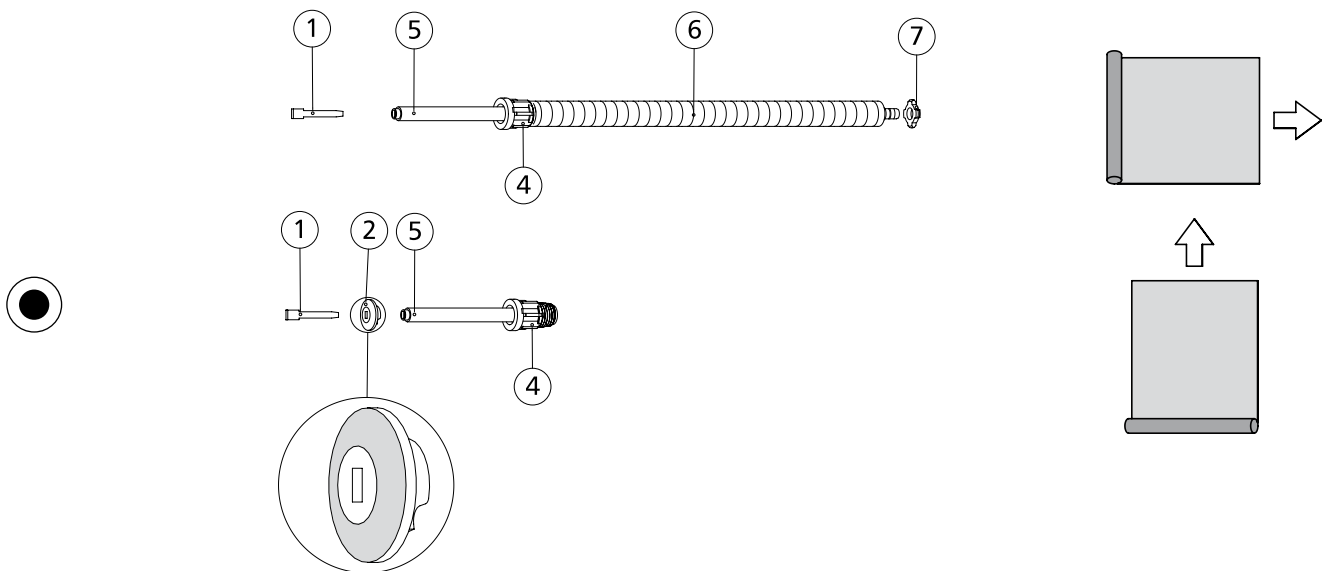
# Function



## Constant tension spring mechanism

Constant tension spring mechanism (no balls and 2 notches). No stop function. Mainly used for insect screen rollers, screen doors, displays and rollups. Spring mechanisms with extra long pin are used for blackout cassette applications.

1. End pin
2. Locking plate with notches
4. Housing
5. Axle
6. Spring wire
7. Centering washer
10. Extra long pin



## Constant tension spring mechanism

Constant tension spring mechanism (no balls and no notches). No stop function. Long adjustable pin. Mainly used for cassette applications in caravans, mobile homes or in the car industry.

1. End pin
2. Locking plate
4. Housing
5. Axle
6. Spring wire
7. Centering washer

## 17mm spring mechanisms

Pretensioning: 5-10 turns

| Item       | Max load kg | End cap colour | Length mm | Wire Ø mm | Pin size      | Housing Ø mm | Tolerance | Max. turns |
|------------|-------------|----------------|-----------|-----------|---------------|--------------|-----------|------------|
| 52X 17 180 | 1,6         | white          | 300       | 1,0       | 7 x 6,2 x 2,5 | 16,9         | +/-0,05   | 50         |
| 52X 17 350 | 3,5         | beige          | 385       | 1,2       | 7 x 6,2 x 2,5 | 16,9         | +/-0,05   | 58         |

## 20 mm spring mechanisms

Pretensioning: 10-13 turns

| Item       | Max load kg | End cap colour | Length mm | Wire Ø mm | Pin size      | Housing Ø mm | Tolerance | Max. turns |
|------------|-------------|----------------|-----------|-----------|---------------|--------------|-----------|------------|
| 52X 20 150 | 1,8         | white          | 300       | 1,0       | 7 x 6,2 x 2,5 | 18,9         | +/-0,05   | 48         |
| 52X 20 180 | 1,8         | white          | 385       | 1,0       | 7 x 6,2 x 2,5 | 18,9         | +/-0,05   | 60         |
| 52X 20 300 | 3,0         | beige          | 385       | 1,2       | 7 x 6,2 x 2,5 | 18,9         | +/-0,05   | 50         |
| 52X 20 450 | 4,5         | grey           | 385       | 1,3       | 7 x 6,2 x 2,5 | 18,9         | +/-0,05   | 40         |

## 25 mm spring mechanisms

With adapter also for 32 mm tubes

Pretensioning: 10-13 turns

| Item       | Max load kg | End cap colour | Length mm | Wire Ø mm | Pin size      | Housing Ø mm | Tolerance | Max. turns |
|------------|-------------|----------------|-----------|-----------|---------------|--------------|-----------|------------|
| 52X 25 150 | 1,5         | white          | 300       | 1,0       | 7 x 6,2 x 2,5 | 24,4         | +/- 0,05  | 40         |
| 52X 25 300 | 3,0         | beige          | 385       | 1,2       | 7 x 6,2 x 2,5 | 24,4         | +/- 0,05  | 40         |
| 52X 25 450 | 4,5         | grey           | 385       | 1,3       | 7 x 6,2 x 2,5 | 24,4         | +/- 0,05  | 30         |

## 28 mm spring mechanisms

Pretensioning: 12-15 turns

| Item       | Max load kg | End cap colour | Length mm | Wire Ø mm | Pin size      | Housing Ø mm | Tolerance | Max. turns |
|------------|-------------|----------------|-----------|-----------|---------------|--------------|-----------|------------|
| 52X 28 250 | 2,5         | beige          | 385       | 1,2       | 7 x 6,2 x 2,5 | 27,4         | +/-0,05   | 40         |
| 52X 28 390 | 3,9         | grey           | 385       | 1,3       | 7 x 6,2 x 2,5 | 27,4         | +/-0,05   | 30         |

## 36 mm spring mechanisms

With adapter for 50 mm tubes

Pretensioning: 15-20 turns

| Item           | Max load kg | End cap colour | Length mm | Wire Ø mm | Pin size      | Housing Ø mm | Tolerance | Max. turns |
|----------------|-------------|----------------|-----------|-----------|---------------|--------------|-----------|------------|
| 52X 36 300     | 3,0         | beige          | 450       | 1,4       | 8 x 9,5 x 2,5 | 35,8         | +0,2/-0,1 | 37         |
| 52X 36 500     | 5,0         | grey           | 450       | 1,6       | 8 x 9,5 x 2,5 | 35,8         | +0,2/-0,1 | 30         |
| 52X 36 500 650 | 5,0         | grey           | 650       | 1,6       | 8 x 9,5 x 2,5 | 35,8         | +0,2/-0,1 | 40         |
| 52X 36 500 800 | 5,0         | grey           | 800       | 1,6       | 8 x 9,5 x 2,5 | 35,8         | +0,2/-0,1 | 45         |
| 52X 36 600 650 | 6,0         | black          | 650       | 1,8       | 8 x 9,5 x 2,5 | 35,8         | +0,2/-0,1 | 30         |
| 52X 36 600 800 | 6,0         | black          | 800       | 1,8       | 8 x 9,5 x 2,5 | 35,8         | +0,2/-0,1 | 40         |

## 38 mm spring mechanisms

Pretensioning: 15-20 turns

| Item           | Max load kg | End cap colour | Length mm | Wire Ø mm | Pin size      | Housing Ø mm | Tolerance | Max. turns |
|----------------|-------------|----------------|-----------|-----------|---------------|--------------|-----------|------------|
| 52X 38 300     | 3,0         | beige          | 450       | 1,4       | 8 x 9,5 x 2,5 | 36,2         | +0,2/-0,1 | 37         |
| 52X 38 500     | 5,0         | grey           | 450       | 1,6       | 8 x 9,5 x 2,5 | 36,2         | +0,2/-0,1 | 30         |
| 52X 38 500 650 | 5,0         | grey           | 650       | 1,6       | 8 x 9,5 x 2,5 | 36,2         | +0,2/-0,1 | 40         |
| 52X 38 500 800 | 5,0         | grey           | 800       | 1,6       | 8 x 9,5 x 2,5 | 36,2         | +0,2/-0,1 | 45         |
| 52X 38 600 650 | 6,0         | black          | 650       | 1,8       | 8 x 9,5 x 2,5 | 36,2         | +0,2/-0,1 | 30         |
| 52X 38 600 800 | 6,0         | black          | 800       | 1,8       | 8 x 9,5 x 2,5 | 36,2         | +0,2/-0,1 | 40         |

There can be a variation of 10-15% in the lifting powers of the spring mechanism within the same standards.

## Coloured end cap

The colour of the locking plate (end cap) indicates the lifting power of the spring mechanism and makes it possible to identify the lifting power of the spring roller blind when the spring is inserted in the tube.

1,5 kg – 1,8 kg  
2,5 kg – 3,5 kg  
4,5 kg – 5,0 kg  
6,0 kg –

white end cap  
beige end cap  
grey end cap  
black end cap

## Explanation of symbols



0 balls and 0 notches. Constant tension spring mechanism, long adjustable pin. No stop function.



2 balls and 1 notch. Multi function spring mechanism. Stop function every half turn, when placed in the brackets with arrow pointing downwards. Constant tension function, when placed in the brackets with arrow pointing upwards.



0 balls and 2 notches. Constant tension spring mechanism. No stop function.



2 balls and 2 notches. Standard roller blind spring mechanism. Stop function every half turn.

Information on our spring mechanisms also in our Components catalogue pages 7-12 and 41-43.

In addition we manufacture many special solutions according to our customers' specifications.