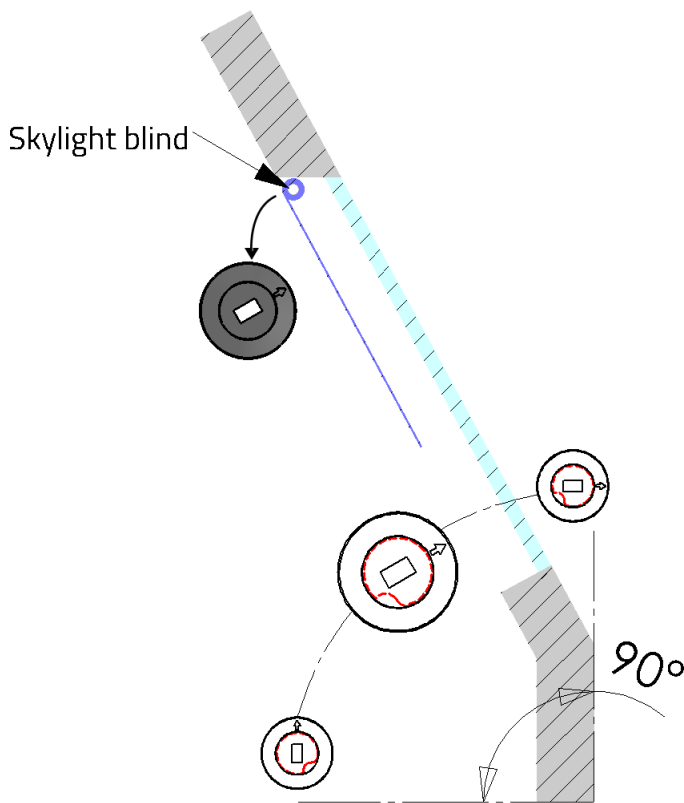


Domicet skylight spring mechanism

The pictures describe the skylight spring mechanism position in the brackets and the operation angles for constant tension function.

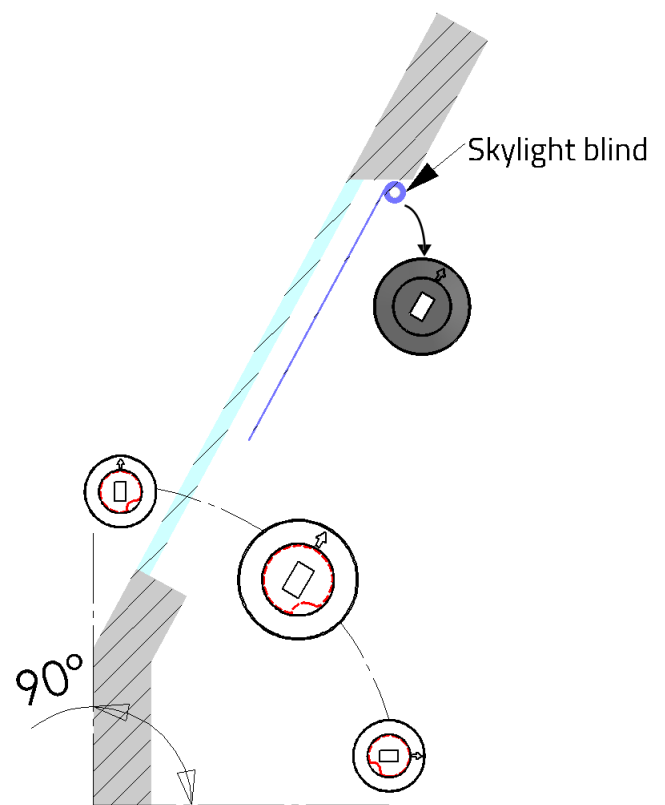
Spring mechanism on the right side - fabric rolling at the front.



For constant tension operation the arrow on the end cap of the spring mechanism should be pointing towards the window when the blind is placed in the brackets, see the picture above.

Operation angle from 0 to 90 degrees.

Spring mechanism on the left side - fabric rolling at the back.



For constant tension operation the arrow on the end cap of the spring mechanism should be pointing upwards when the blind is placed in the brackets, see the picture above.

Operation angle from 0 to 90 degrees.